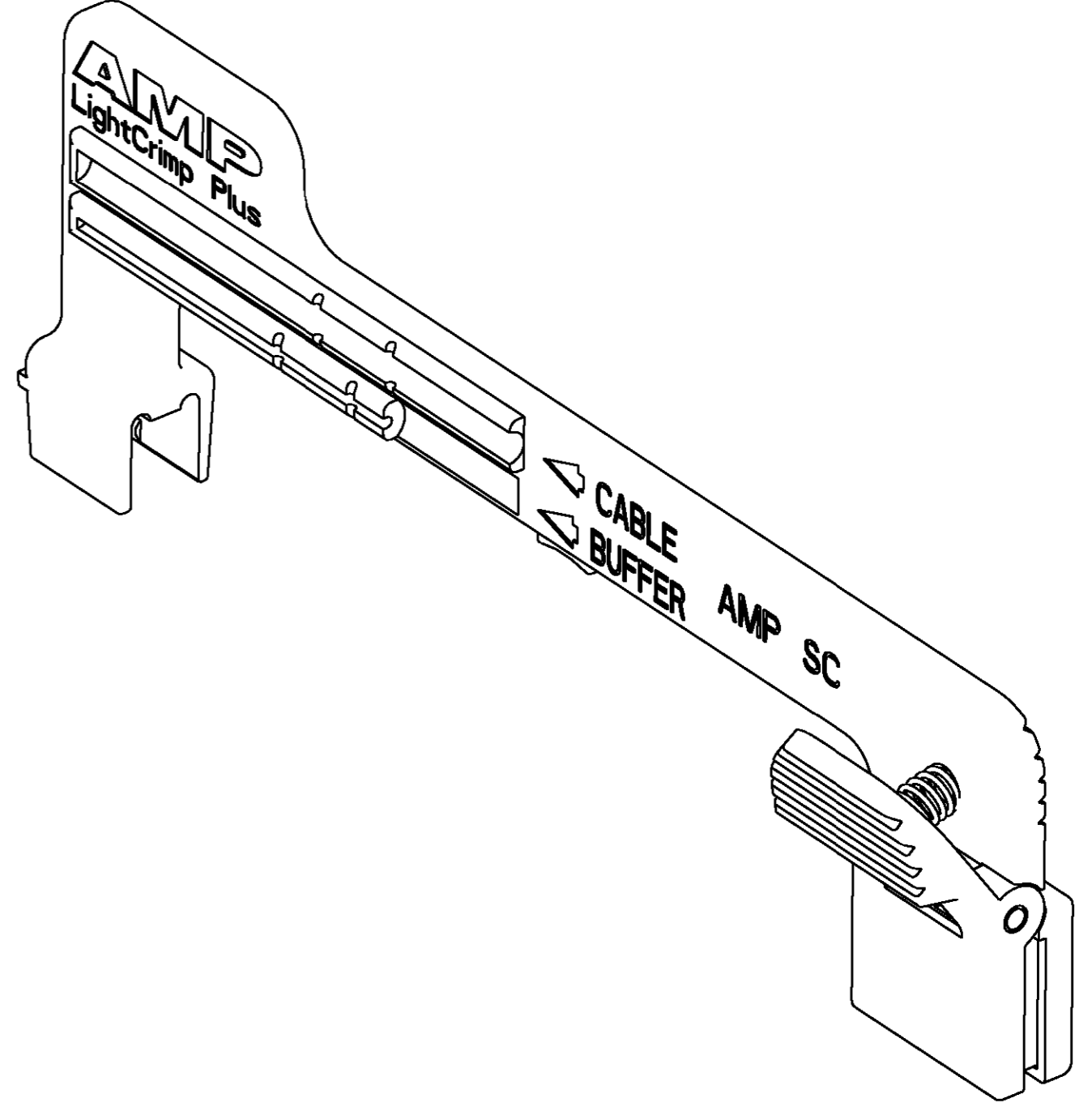
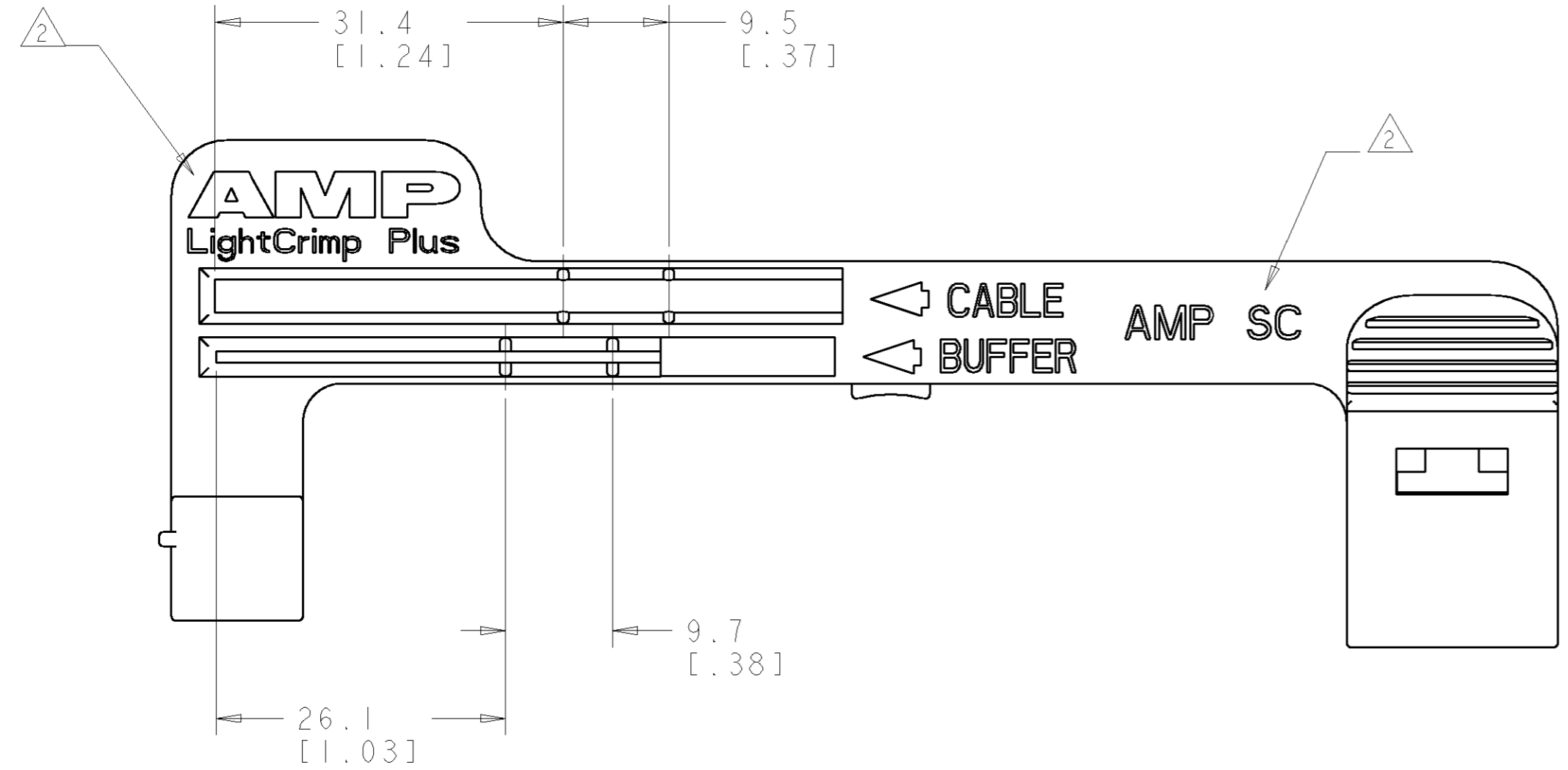
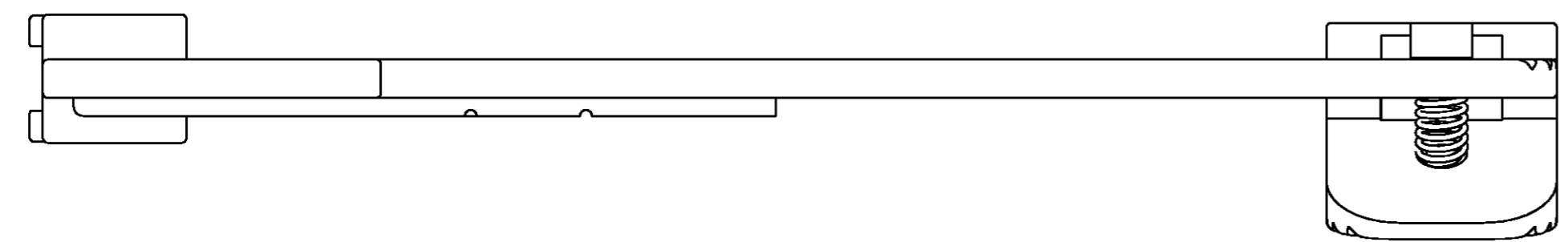
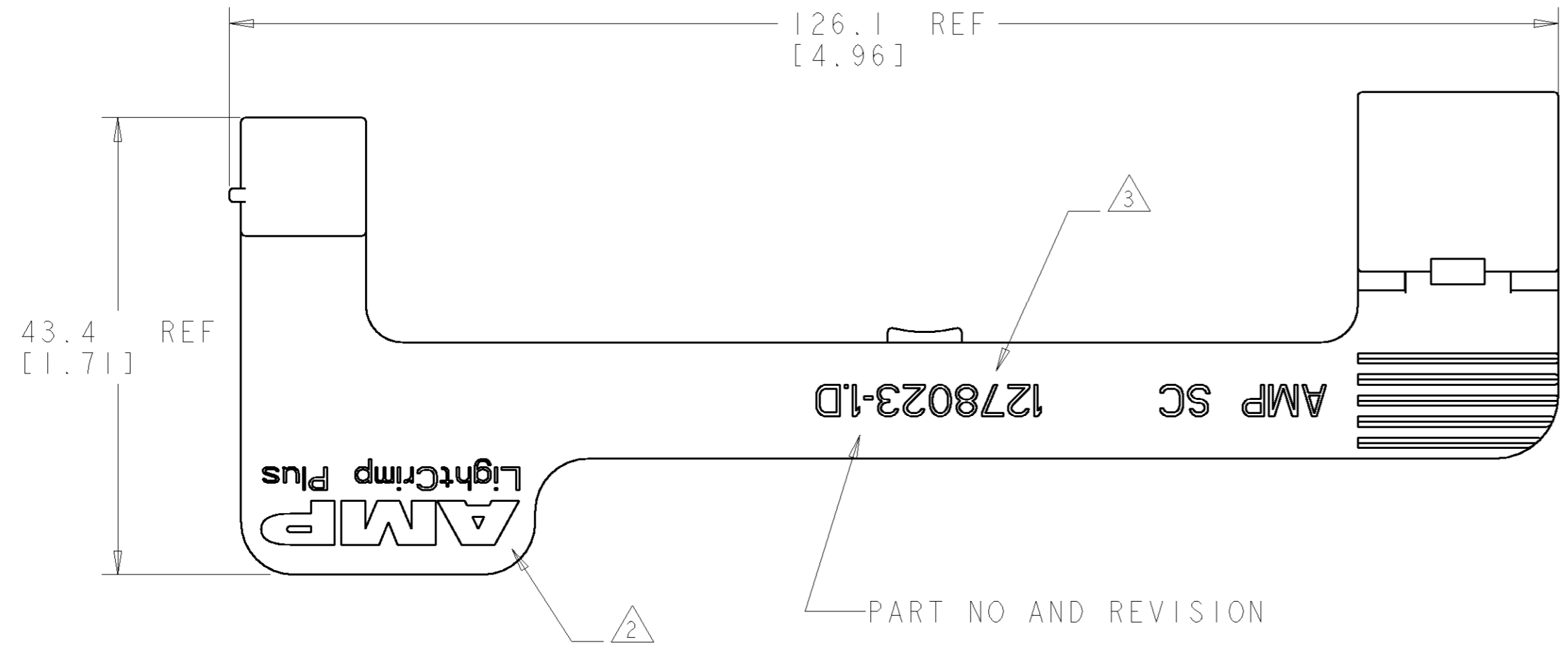


THIS DRAWING IS UNPUBLISHED. RELEASED FOR PUBLICATION
 © COPYRIGHT 19 BY TYCO ELECTRONICS CORPORATION. ALL RIGHTS RESERVED.

LOC	DIST	REVISIONS			
P	LTR	DESCRIPTION	DATE	DWN	APVD
CE	16				
		D REV PER 0A00-0851-00	10-10-00	DDE	MH



- ① HANDLE AND ARM: POLYCARBONATE, COLOR: BLACK
 PADS: URETHANE
 SPRING AND PIN: SST
- ② NO "AMP" OR "AMP SC" LOGOS ON P/N'S DESIGNATED.
- ③ P/N SHOWN FOR ILLUSTRATION ONLY.
 ACTUAL P/N TO BE STAMPED ON PART.

② GREEN	1278023-2
YELLOW	1278023-1
INK COLOR	PART NO

THIS DRAWING IS A CONTROLLED DOCUMENT FOR TYCO ELECTRONICS CORPORATION IT IS SUBJECT TO CHANGE AND THE CONTROLLING ENGINEERING ORGANIZATION SHOULD BE CONTACTED FOR THE LATEST REVISION.		DWN D ERDMAN 3-3-99	AMP Incorporated Harrisburg, PA 17105-3608	
DIMENSIONS: mm [INCHES]		CHK L SAUERWEIN 3-3-99	NAME ASSEMBLY, CABLE/BUFFER HOLDER, LightCrimp Plus AMP SC	
TOLERANCES UNLESS OTHERWISE SPECIFIED: 0 PLC ± 1 PLC ±0.5 2 PLC ± 3 PLC ± 4 PLC ± ANGLES ± FINISH -		APVD S RUCHTER 3-3-99	PRODUCT SPEC - APPLICATION SPEC - WEIGHT - RESTRICTED TO -	
MATERIAL - ①		CUSTOMER DRAWING	SCALE 2:1	SHEET 1 OF 1 REV D